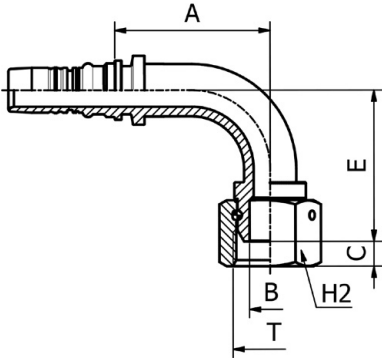


BS STANDARD CONNECTIONS

M40592

90° BSP
FEMALE SWEPT ELBOW 60° CONE
BS5200 / ISO 12151-6
(THRUST-WIRE NUT)



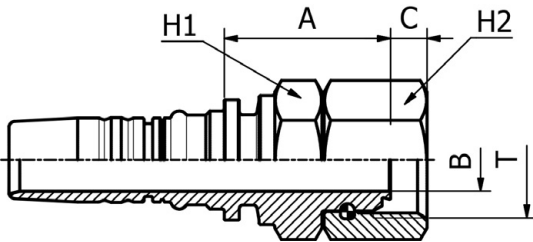
PART. REF.	HOSE BORE			Thread	DIMENSIONS mm						
	DN	Dash	inch		T	B	A	C	E	H2	
M40592-10-12	16	- 10	5/8"	3/4" - 14		15.0	56.5	9.0	55.0	32.0	

FITTINGS 178

BS STANDARD CONNECTIONS

M40812

BSP O-RING
FEMALE 60° CONE
BS5200 / ISO 12151-6
(THRUST-WIRE NUT)



PART. REF.	HOSE BORE			Thread	DIMENSIONS mm						
	DN	Dash	inch		T	B	A	C	H1	H2	
M40812-12-12	19	- 12	3/4"	3/4" - 14		14.5	39.0	8.5	32.0	32.0	
M40812-12-16	19	- 12	3/4"	1" - 11		19.0	36.5	10.6	32.0	41.0	
M40812-16-12	25	- 16	1"	3/4" - 14		15.0	35.0	8.5	41.0	32.0	
M40812-16-16	25	- 16	1"	1" - 11		19.5	44.5	10.6	41.0	41.0	
M40812-16-20	25	- 16	1"	1.1/4" - 11		26.1	41.0	10.5	41.0	50.0	
M40812-20-16	31	- 20	1.1/4"	1" - 11		19.0	44.5	10.6	50.0	41.0	
M40812-20-20	31	- 20	1.1/4"	1.1/4" - 11		26.1	52.5	10.5	50.0	50.0	
M40812-20-24	31	- 20	1.1/4"	1.1/2" - 11		32.1	46.0	12.5	50.0	60.0	
M40812-24-20	38	- 24	1.1/2"	1.1/4" - 11		26.1	48.5	10.5	60.0	50.0	
M40812-24-24	38	- 24	1.1/2"	1.1/2" - 11		32.1	51.5	12.5	60.0	60.0	
M40812-32-32	51	- 32	2"	2" - 11		42.0	51.5	16.1	70.0	70.0	